

DRAWING MADE IN THIRD ANGLE PROJECTION

Copyright 1981 by AMP Incorporated, Harrisburg, Pa. All International Rights Reserved. AMP Incorporated Products Covered by U. S. and Foreign Patents and/or Patents Pending.

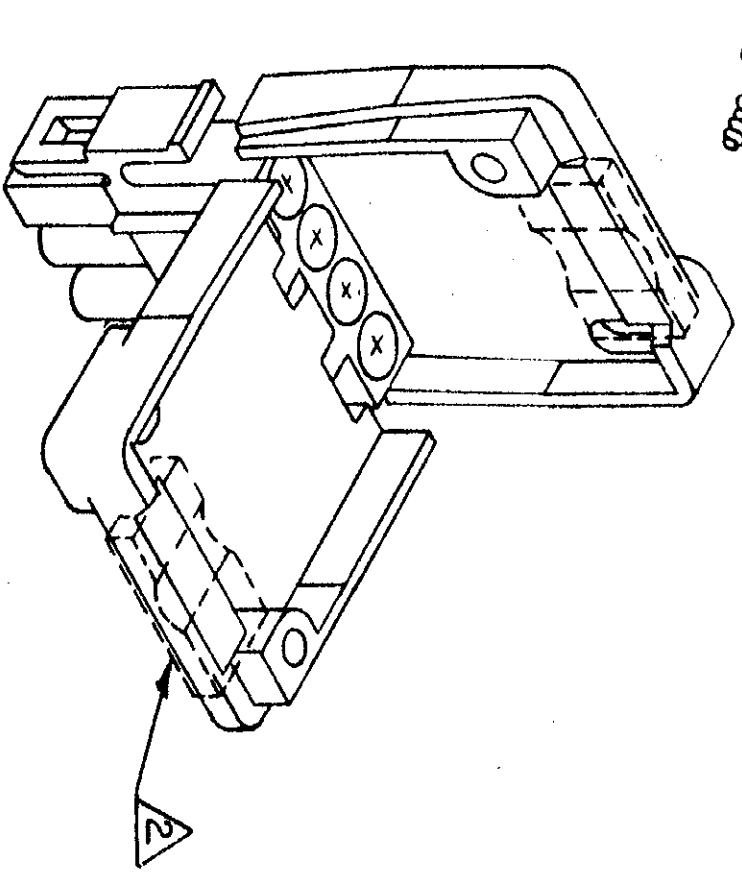
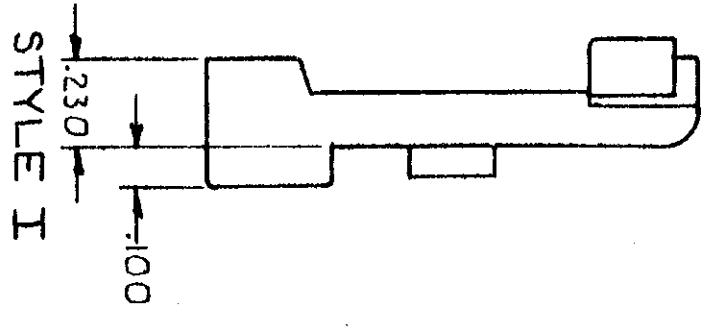
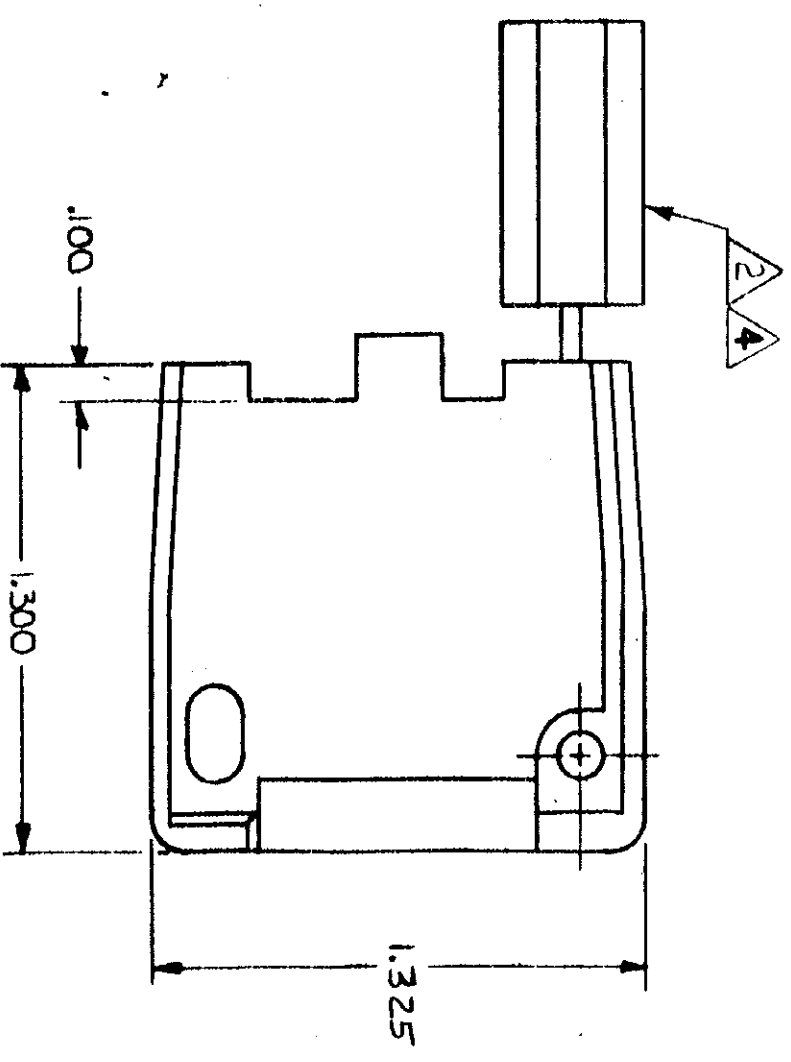
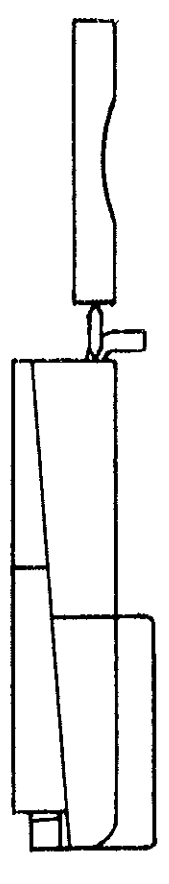
3

2

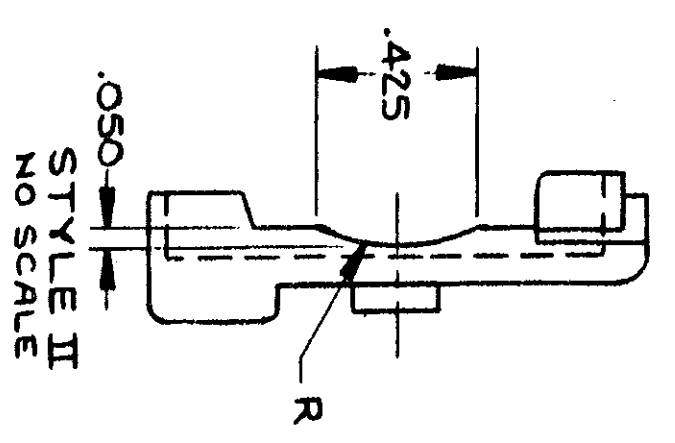
1

REV	ZONE	TR	DESCRIPTION	DATE	APPROVED
0			RELEASE DRAWING PER M-6208	1-22-81	MJF/DH
1			REVISED WIDTH PER M-6934	4-27-82	MJF/AH
2			ADDED-2 PER TT 83-133	11-23-83	KW/SS
3			RESTORATION	11-25-83	KW/SS
4			REV PER ECN CM 705	12/1/86	TB/LDS

- 5. DETACHABLE INSERT MAY SEPARATE FROM STRAIN RELIEF BODY DURING SHIPPING.
- 4. STYLE II DOES NOT INCLUDE INSERT.
- 3. TWO REQUIRED PER CONNECTOR.
- 2. OFF AND POSITIONED AS SHOWN BY DOTTED LINES.
- 1. ADJUSTMENT FOR SMALL WIRE BUNDLES, IT SHOULD BE CUT
- 0. INSERT IS ATTACHED TO STRAIN RELIEF AS AN ADDITIONAL SHEET METAL SCREWS NOT SUPPLIED.



(2 REQ'D) #6 X .375 LG. TYPE "B" PAN HEAD SHEET METAL SCREW



WIRE BUNDLE	MAX	MIN
WITHOUT INSERT	4 @ .190 DIA	
WITH INSERT		4 @ .040 DIA

UNLESS OTHERWISE SPECIFIED DIMENSIONS ARE IN INCHES. TOLERANCES ON: DECIMALS ±.015 ANGLES ±

CONTRACT NO. DR M. FEHER 1-22-81  
CHK J.S. Heide 1/28/81  
APPD J.C. [Signature] 1-28-81  
DSGN APPD  
OTHER APPD

NAME: STRAIN RELIEF AND INSERT, UNIVERSAL MATE-N-LOK™, 4 CIRCUIT  
AMP INCORPORATED Harrisburg, Pa.  
SIZE CODE IDENT NO: DRAWING NO: 641775  
SCALE: 2-1 SHEET 1 OF 1

MATERIAL	STYLE	COLOR	PART NO
NYLON 94V-2	II	NATURAL	641775-2
NYLON 94V-2	I	NATURAL	641775-1

641775

-2 WAS CP83-31591-1

AMP 1471-6 REV 12-78

CUSTOMER DRAWING